

LUMINAIRES

GEMME

Design: GHM



**Configuration**

GEMME (VPS)
GEMME column
Column height: 5 m

**Configuration**

GEMME (PCC)
GEMME column
Column height: 4 m

**Configuration**

GEMME (VPS)
Column height: 5 m

GEMME

Design: GHM

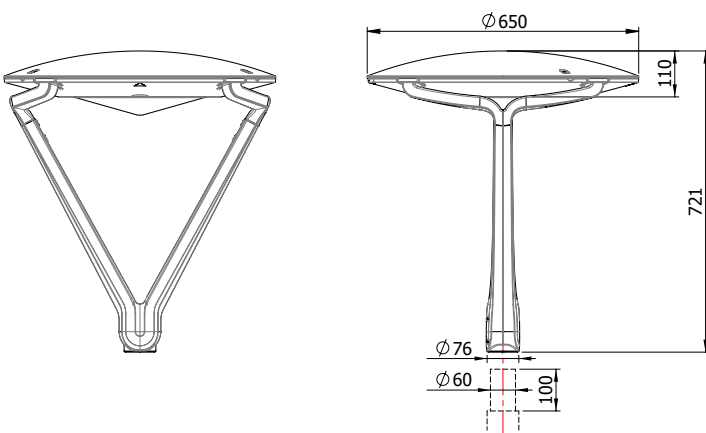


GEMME (VPS)

DESCRIPTION

Product name	GEMME
Housing	Injected die-cast aluminium
Bowl	Polycarbonate shallow clear (PCC) Thermally tempered and screen printed flat glass (VPS)
Finish	Polyester powder coating, any colour available
Impact protection	IK 09
Ingress Protection	IP66 Extruded silicone gasket Breathing system with activated carbon filter
Dimensions (dia x h)	650 x 721 mm
Weight	8.5kg
Windage area	0.13m ²
Materials used	Plastic 27% Aluminium 64% Steel 6% Other 3%
Electrical class	Class I or II
Wiring	Luminaire pre-wired in the factory

DIMENSIONS



GEMME PCC

GEMME VPS





GEMME (PCC)

SOURCES & PHOTOMETRIC DISTRIBUTIONS

GEMME

Sources	GEMME (ORALED 1 type)
Colour temperature	3000 K or 4000 K
Module color	Grey 2150 or 2900
Optical Distribution	ORALENS
Backlight shield option	Medium or strong cut-off
Power supply current	Up to 700 mA ⁽¹⁾

(1) I>700mA possible on request
 E/L/P: Lighting/Luminance/Projection, R/C/T/F/P: Road/Circular/Pavement/Beam/Zebra crossing,
 E/S/L/A/D/G: Narrow/Standard/Wide/Asymmetrical/Right/Left



GEMME (ORALED 1 type)

OPTIONS

GEMME

At the lighting point

Adjustable current (driver or bottom of the pole)	✓
Dimming (driver, bottom of the pole or Bluetooth)	✓
Built-in detection	✓
Remote detection	✓
DALI protocol	✓
Smart-Ready® configuration (ZD4i)	✓

In a local network

Communicating detection with pilot wire	✓
Wireless communication sensing	✓

Remote management

WIZARD CMS system	✓
-------------------	---

Details of the functions available on pages 272 to 279 and in the LED synopsis located on under the flap on the front cover

MECHANICAL INTERFACES



Top fastening for Ø 60/62 mm pole



For standard Ø 76 mm pole, A end available as an option (cf p 280)

MAINTENANCE

Opening and closing

To access the geartray, remove the captive screws and remove the cover
 The luminaire is held in the open position by a safety stay

Sources maintenance

Automatic cutting of the power supply when the luminaire is opened by a dedicated ECLATEC connector. Quick electrical disconnection without tools
 Circuit board removable onsite without tools.
 Complete LED module removable onsite without tools

